

General Regulations about Ordering Safety Certificates (Electrical)

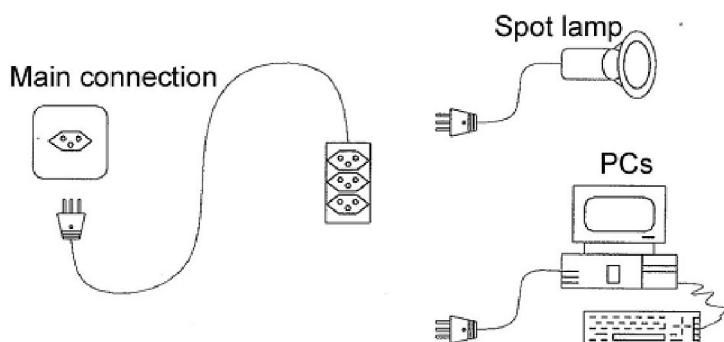
Legal Basis

- Low Voltage installation regulations (NIV 2002)
- Low Voltage installation standard (NIN 2010)
- Low Voltage product regulations (NEV 2000)

Scope

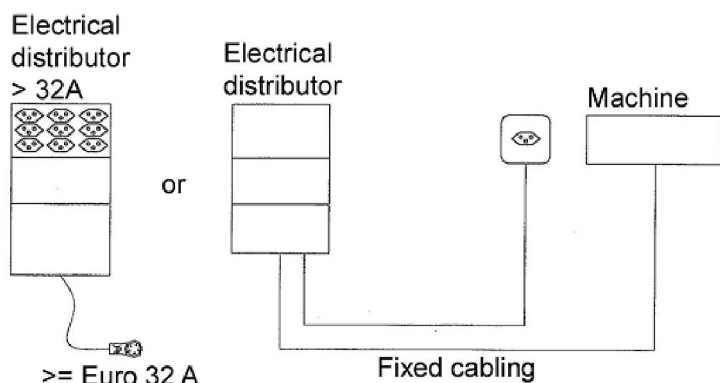
This information sheet applies to stand installations which are connected after the main connection.

Installations without Safety Certificate



Everything which plugs in to a power supply up to and including 32A is considered to be a product. It **does not need a safety certificate** according to NIV.

Installations with Safety Certificate



Everything which will be permanently connected, whether it be a product or an installation, needs a safety certificate according to NIV.

Everything which plugs in to a power supply >32A, needs either a safety certificate according to NIV which is not more than 1 year old, or (in the case of products) a manufacturer's declaration of conformity according to NEV.

The safety certificate must be issued by an authorized inspector.

Inquiries

Congress Center Basel | MCH Swiss Exhibition (Basel) Ltd.
 Fax: +41 58 206 21 85
 e-mail: exhibition@congress.ch